

CT-101 *Digital Community Channel Transmitter*

OFDM Modulator
for Digital Terrestrial
Broadcasting

ReMux Device to
Have Multiple HD
and SD Channels

Video Selector,
Scheduler and EPG
Creator

Three Great Functions in One Device !



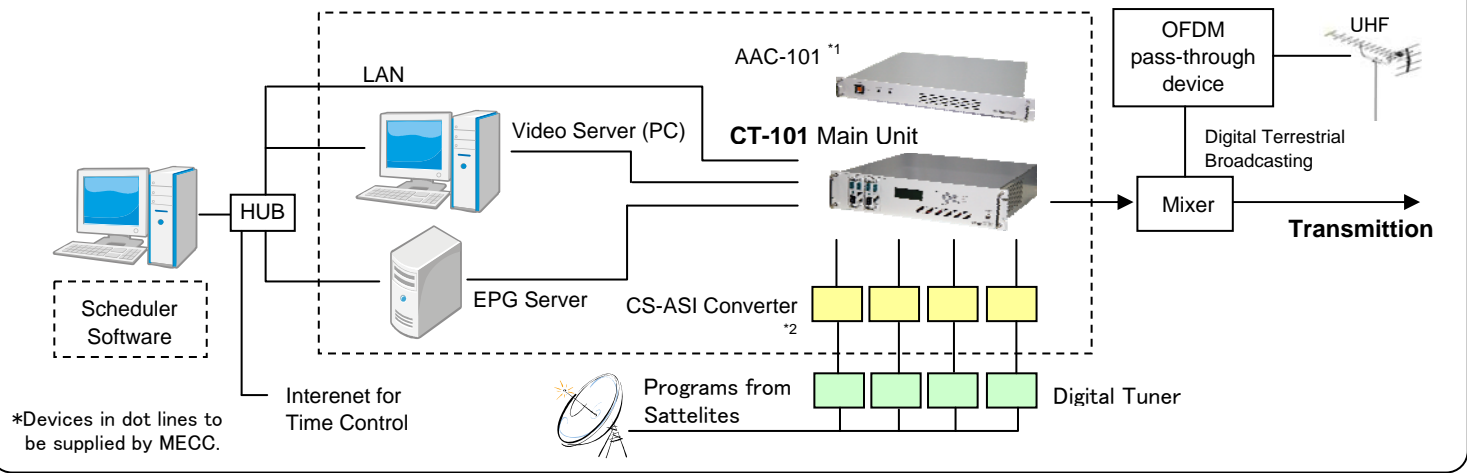
The CT-101 Digital Community Channel Transmitter is a new-concept device to transmit community channels for CATV broadcasting. OFDM modulator, ReMux device and Scheduler are equipped with the compact device and a variety of programming of community channels will be realized.

In addition, programs can be transmitted in the form of MPEG2-TS data, saving much time and cost.

- ◆ **OFDM Modulation for ISDB-T Digital Terrestrial**
- ◆ **Built-in ReMux Device to Have Multiple HD and SD Community**
- ◆ **Seven (7) External Inputs for Video and EPG Server and Programs**
- ◆ **Video Selector and Scheduler Hardware/Software are**
- ◆ **Edited Programs be Stored in the Video Server and be Transmitted in the Form of MPEG2-TS Data.**
- ◆ **EPG (Electronic Program Guide) can be Created when Scheduling TV Programs.**
- ◆ **Function to Limit Dubbing and Copying TV Programs.**
- ◆ **Monitoring Software to Watch Operations is Available.**

CT-101 Digital Community Channel Transmitter

CT-101 Block Diagram



*Devices in dot lines to be supplied by MECC.

^{*1} AAC-101 is a unit to convert MPEG1, the audio data used with video editor software, into AAC, the one for digital terrestrial broadcasting.

^{*2} CAC-010 is a unit to convert parallel signals from satellites into DVB-ASI (serial) signals. Dimensions: 126 x 96 x 30mm

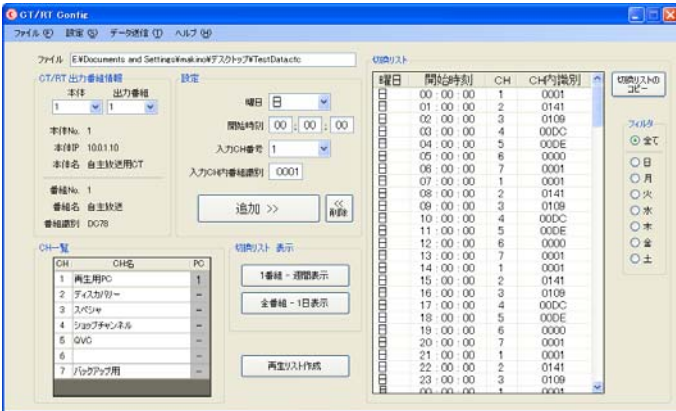
General Specifications

Input port	Number of ports: 7	Interface: DVB-ASI
Output port	Number of ports: 1	Interface: OFDM (5.6MHz)
	Modulation system: QPSK / 16QAM / 64QAM	
AC line	AC100 V \pm 10% (50/60 Hz) / 100W 以下	
Ambience	10 to 40 degree C	
Dimensions	CT-101 main body	480 (W) x 99 (H) x 400 (D) mm
	AAC-101	480 (W) x 49 (H) x 370 (D) mm

*Specifications may change to improve without a prior notice.

GUI screens *To be redesigned in English.

Scheduler



Configuration



Monitoring



Developed and Manufactured by:

MECC CO., LTD.

196-1 Fukudo, Ogori-shi, Fukuoka 838-0137 JAPAN

Phone: +81-942-72-7266 Fax: +81-942-73-3545

Web Site: www.mecc.co.jp

E-mail: askmecc@mecc.co.jp